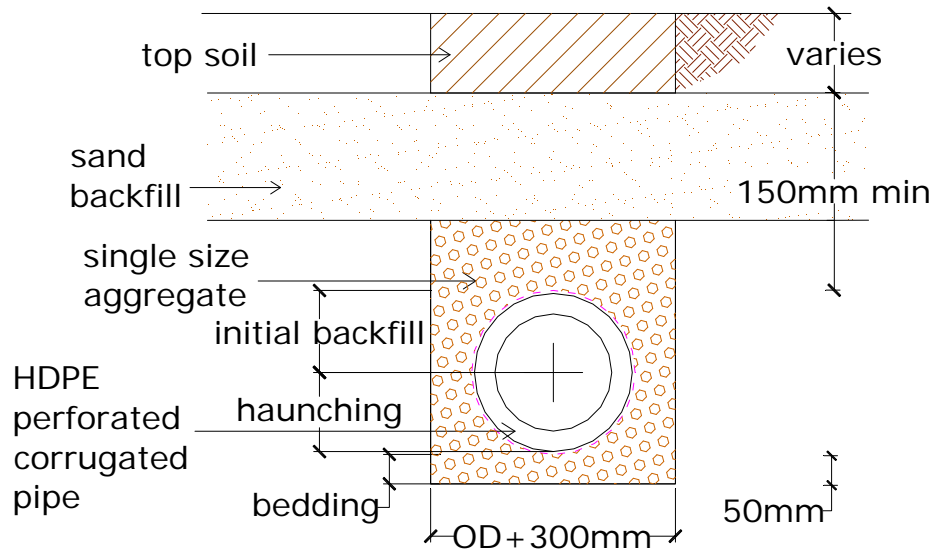


SUBSOIL PIPE (shallow installation, e.g: field, golf course)

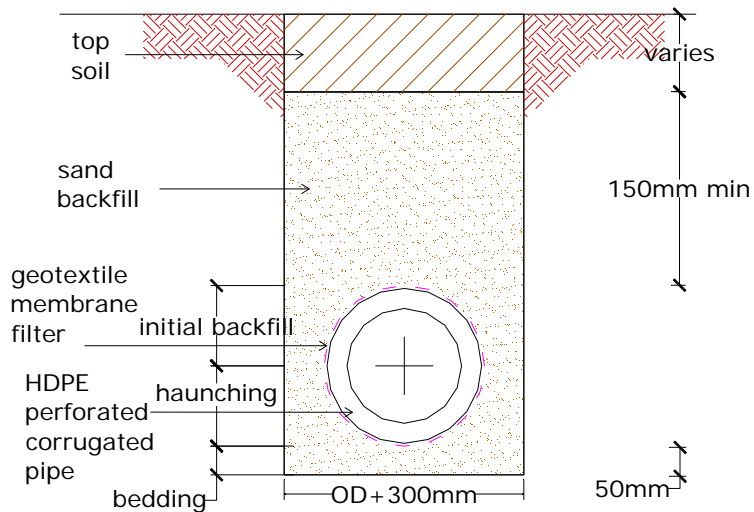
Depending on the serviceability level of the network required and the level of maintenance capability the designer can opt for the construction details as depicted below:

Standard Bedding

Type 1: (Stadium field)



Type 2: (soggy after rainstorm tolerable)



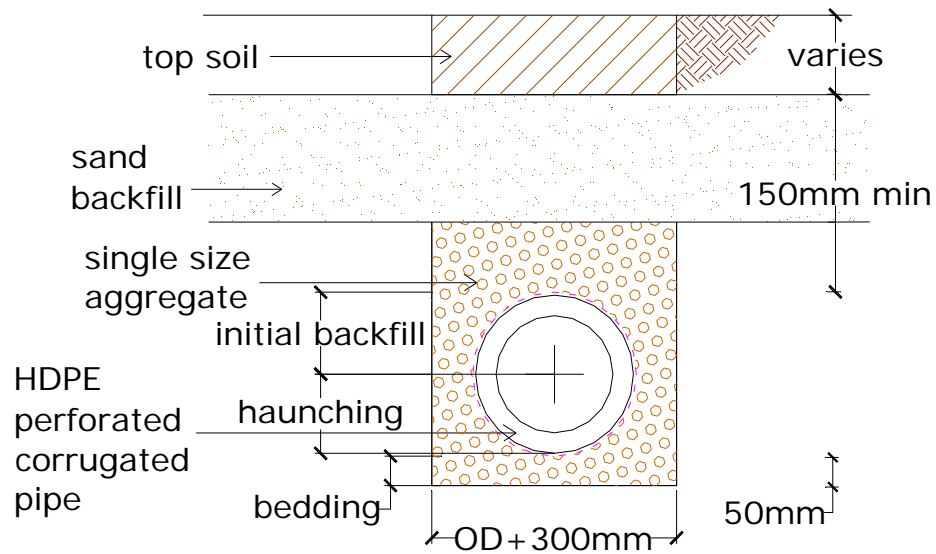
Method of Statement

1. Trenching- excavate trench to recommended width, pipe alignment and invert.
2. Lay bedding with specified material and level.
3. Lay HDPE double wall pipe and place haunching material ensuring gap between pipe and bedding is filled up haunching material.
4. Place initial backfill and compact
5. Backfill trench with selected material.

SUBSOIL (Deeper, e.g: retaining wall)

Method of Statement

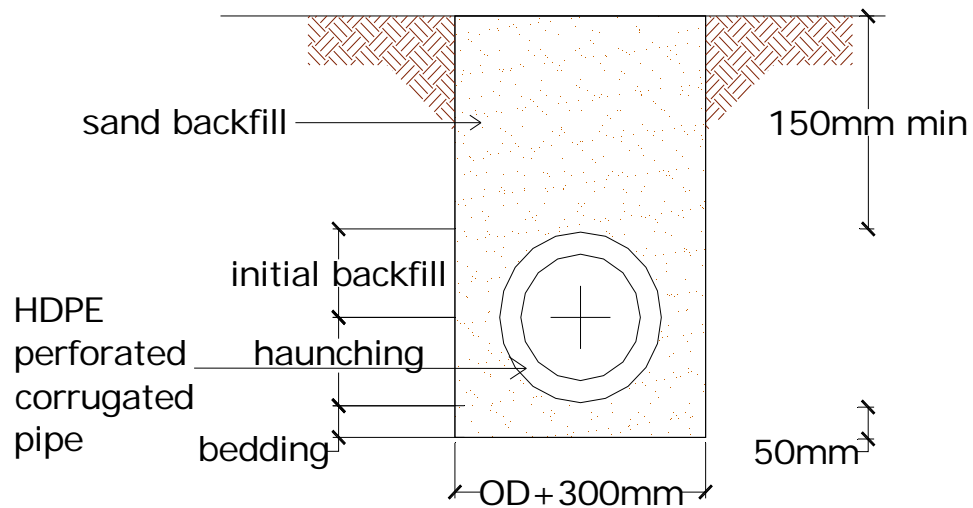
1. Trenching- excavate trench to recommended width, pipe alignment and invert.
2. Lay bedding with specified material and level.
3. Lay HDPE double wall pipe and place haunching material ensuring gap between pipe and bedding is filled up haunching material.
4. Place initial backfill and compact
5. Backfill trench with selected material.
6. Shoring/sheet piling to be provided if necessary.



CABLE PIPE INSTALLATION

Method of Statement

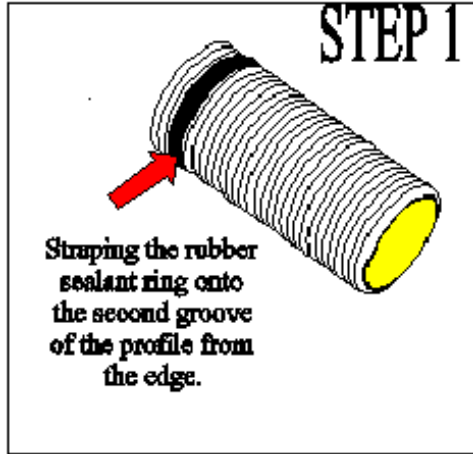
1. Trenching- excavate trench to recommended width, pipe alignment and invert.
2. Lay bedding with specified material and level.
3. Lay HDPE double wall pipe and place haunching material ensuring gap between pipe and bedding is filled up haunching material.
4. Place initial backfill and compact
5. Backfill trench with selected material.



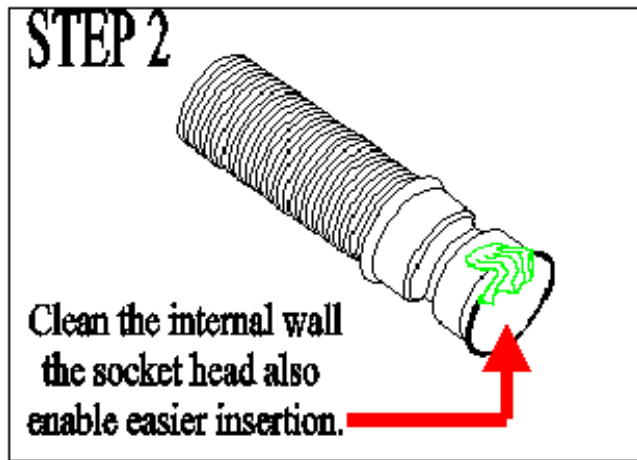
Standard Bedding

Method of Installation

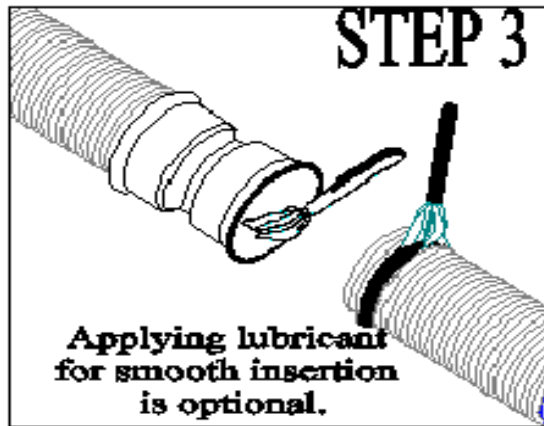
Important to strap the sealant ring to the pipe.



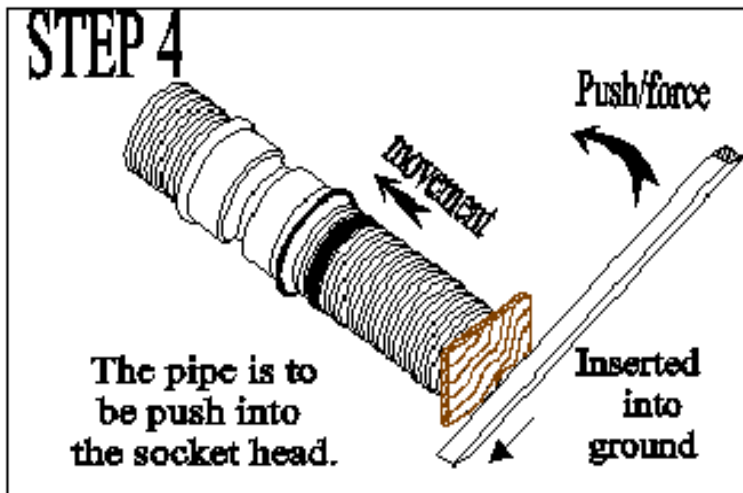
Clean the internal wall of fittings and external wall of pipe



Applying lubricant



Push the pipe



NOTE: This method requires use of installation stub. Do not push directly against pipe.

SEWER INSTALLATION

Method of Statement

1. Trenching- excavate trench to recommended width, pipe alignment and invert.
2. Lay bedding with specified material and level.
3. Lay HDPE double wall pipe and place haunching material ensuring gap between pipe and bedding is filled up haunching material.
4. Place initial backfill and compact
5. Backfill trench with selected material.
6. Shoring/sheet piling to be provided if necessary.

